

## TT MIXFLOW SERIES

### • Application

The Fanco TT series are designed for supply and exhaust ventilation of premises requiring high pressure and powerful airflow at a low noise level. The fans are compatible with round duct with models from 100mm to 315mm.

### • About the motor

All motors are equipped with a single phase motor with two selectable speeds. All motors have thermal overheating protection, ball bearings which ensure a motor life expectancy of 40,000 hours at non stop operation. The motor is IPX4 rated.

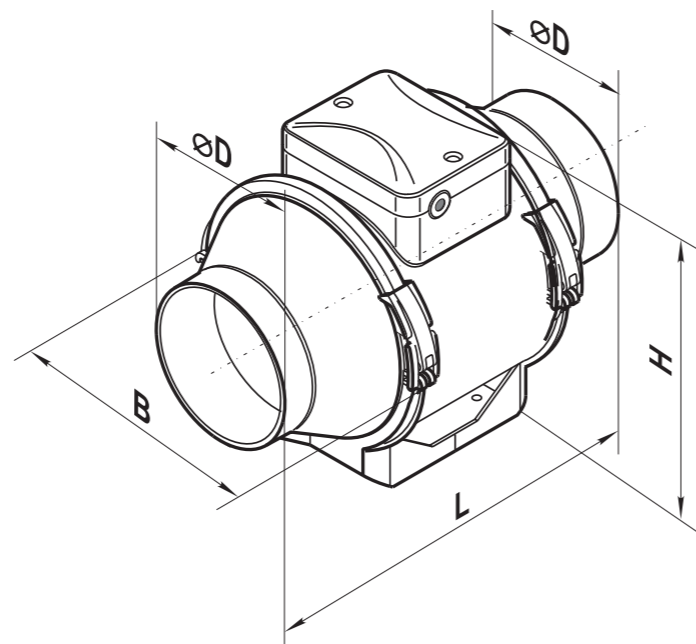


SKU	Description
EXVUTT100	TT 100mm Mixflow Inline Fan
EXVUTT125	TT 125mm Mixflow Inline Fan
EXVUTT150	TT 150mm Mixflow Inline Fan
EXVUTT150RV	TT 150mm Mixflow Inline Fan with Speed Switch & Lead & Plug
EXVUTTP200	TT PRO 200mm Mixflow Inline Fan
EXVUTTP200RV	TT PRO 200mm Mixflow Inline Fan with Speed Switch & Lead & Plug
EXVUTTP250	TT PRO 250mm Mixflow Inline Fan
EXVUTT315	TT PRO 315mm Mixflow Inline Fan



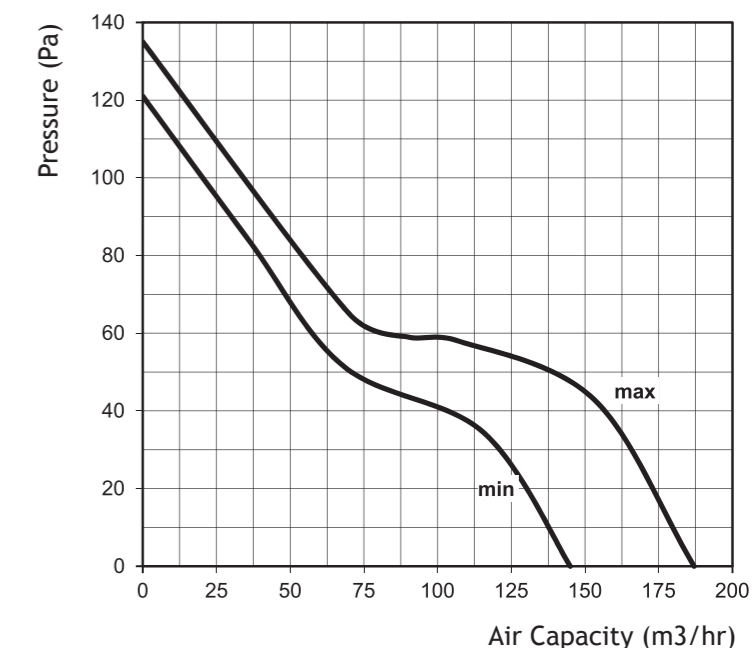
### Fan Overall Dimensions (mm)

SKU	D	B	L	H
EXVUTT100	96	167	246	190
EXVUTT125	123	167	246	190
EXVUTT150	146	223	295	250
EXVUTT150RV	146	223	295	250
EXVUTTP200	199	239	295	247
EXVUTTP200RV	199	239	295	247
EXVUTTP250	247	287	383	323
EXVUTT315	310	362	445	408



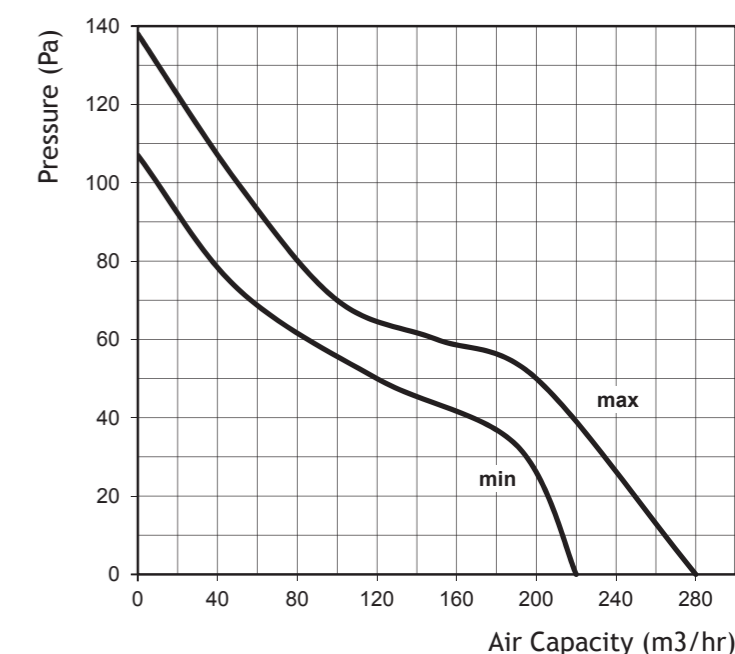
### EXVUTT100 - TT 100mm Mixflow Inline Fan

Speed	Min	Max
Voltage	230	230
Power (W)	21	33
Current (A)	0.11	0.21
Capacity (m3/hr)	145	187
Capacity (l/s)	40.31	51.98
Capacity (CFM)	85.40	110.14
RPM (min-1)	2180	2385
Noise Level at 3m (dBA)	27	36
Max air temp (°C)	60	60
Protection rating	IPX4	IPX4



### EXVUTT125 - TT 125mm Mixflow Inline Fan

Speed	Min	Max
Voltage	230	230
Power (W)	23	37
Current (A)	0.18	0.27
Capacity (m3/hr)	220	280
Capacity (l/s)	61.16	77.84
Capacity (CFM)	129.58	164.92
RPM (min-1)	1950	2455
Noise Level at 3m (dBA)	28	37
Max air temp (°C)	60	60
Protection rating	IPX4	IPX4

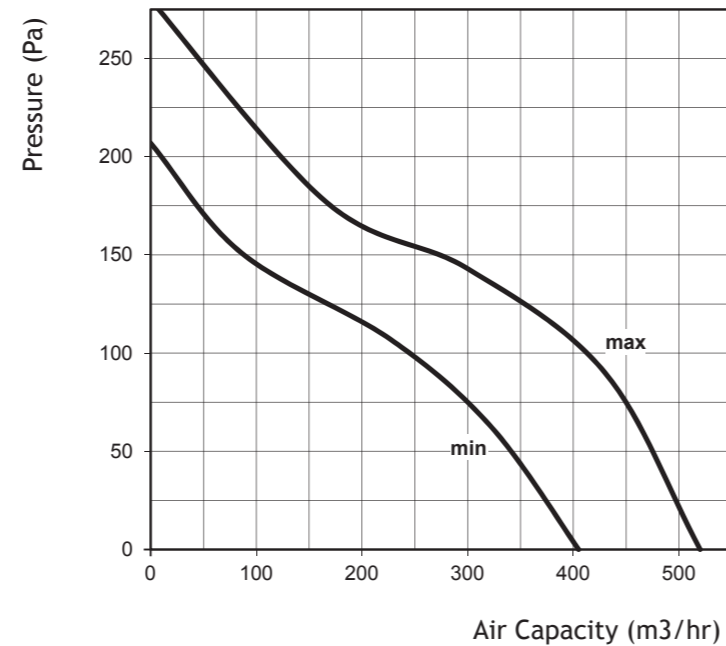


## TT MIXFLOW SERIES

### EXVUTT150 - TT 150mm Mixflow Inline Fan

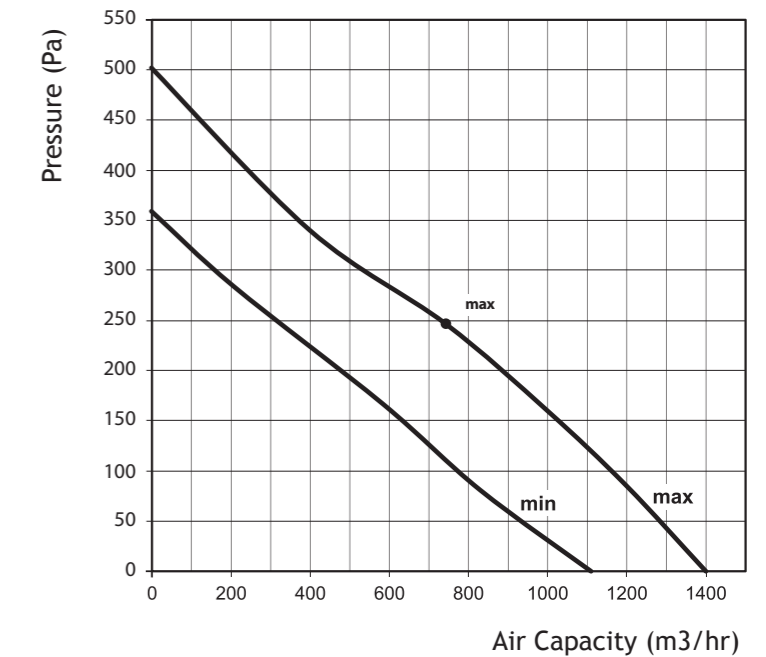
### EXVUTT150RV - TT 150mm Mixflow Inline Fan w/ Speed Switch & Lead & Plug

Speed	Min	Max
Voltage	230	230
Power (W)	30	60
Current (A)	0.17	0.27
Capacity (m3/hr)	405	520
Capacity (l/s)	112.59	144.56
Capacity (CFM)	238.54	306.28
RPM (min-1)	1680	2460
Noise Level at 3m (dBA)	33	44
Max air temp (°C)	60	60
Protection rating	IPX4	IPX4



### EXVUTTP250 - TT PRO 250mm Mixflow Inline Fan

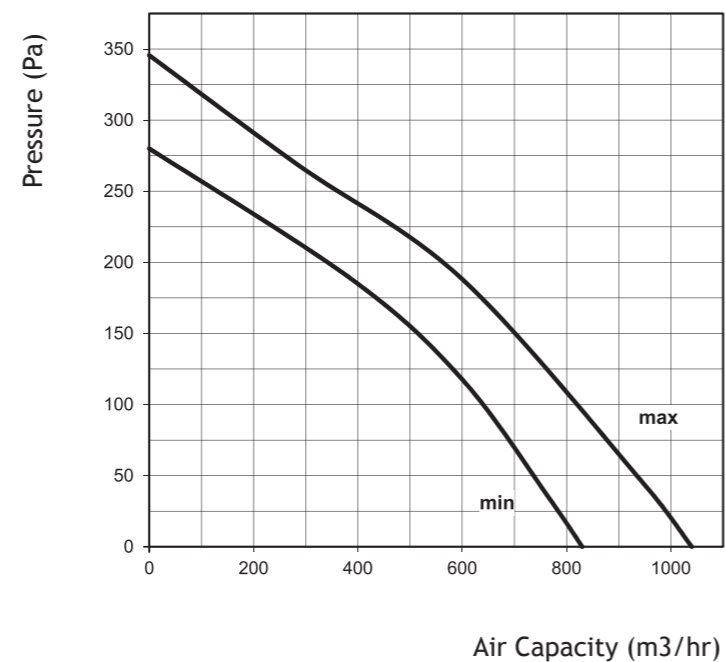
Speed	Min	Max
Voltage	230	230
Power (W)	125	177
Current (A)	0.54	0.79
Capacity (m3/hr)	1110	1400
Capacity (l/s)	308.58	389.2
Capacity (CFM)	653.79	824.6
RPM (min-1)	1955	2440
Noise Level at 3m (dBA)	47	55
Max air temp (°C)	60	60
Protection rating	IPX4	IPX4



### EXVUTTP200 - TT PRO 200mm Mixflow Inline Fan

### EXVUTTP200RV - TT PRO 200mm Mixflow Inline Fan w/ Speed Switch & Lead & Plug

Speed	Min	Max
Voltage	230	230
Power (W)	76	108
Current (A)	0.34	0.48
Capacity (m3/hr)	830	1040
Capacity (l/s)	230.74	289.12
Capacity (CFM)	488.87	612.56
RPM (min-1)	1915	2380
Noise Level at 3m (dBA)	45	52
Max air temp (°C)	60	60
Protection rating	IPX4	IPX4



### EXVUTTP315 - TT PRO 315mm Mixflow Inline Fan

Speed	Min	Max
Voltage	230	230
Power (W)	230	320
Current (A)	1	1.42
Capacity (m3/hr)	1570	2050
Capacity (l/s)	436.56	569.9
Capacity (CFM)	924.73	1207.45
RPM (min-1)	1890	2430
Noise Level at 3m (dBA)	49	58
Max air temp (°C)	60	60
Protection rating	IPX4	IPX4

