

## S SERIES

### Application

The Fanco S Series are designed for exhaust of bathroom, showers, kitchens and other utility spaces. The fans are compatible with round duct with models in 100mm, 125mm and 150mm. Available in white or brushed aluminium.

### About the motor

The S Series features a reliable low watt German made electric motor. All motors include overheating protection and are designed for continuous operation. The motor is IP34 rated. The casing and impeller are made from high quality, durable ABS plastic.

### Mounting

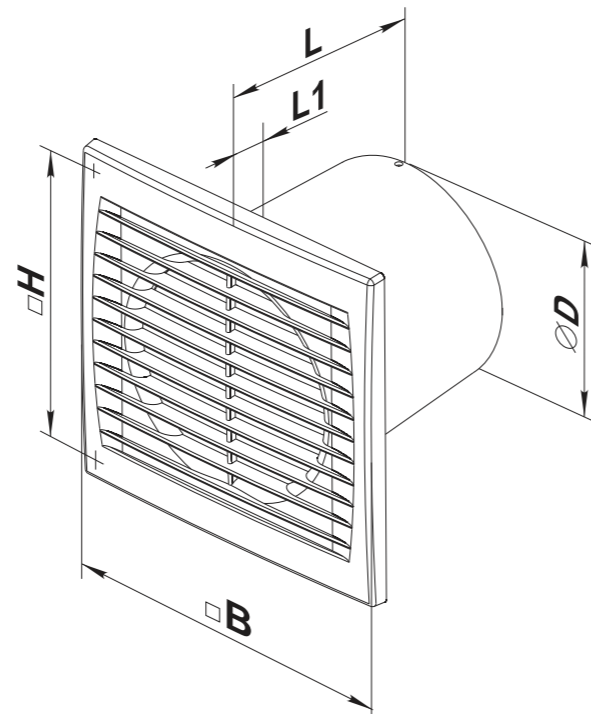
The fan is suitable for ceiling or wall mounting.



SKU	Description
EMVUSS1	S Series 100mm Ceiling / Wall Exhaust Fan - White
EMVUSS2	S Series 125mm Ceiling / Wall Exhaust Fan - White
EMVUSS3	S Series 150mm Ceiling / Wall Exhaust Fan - White

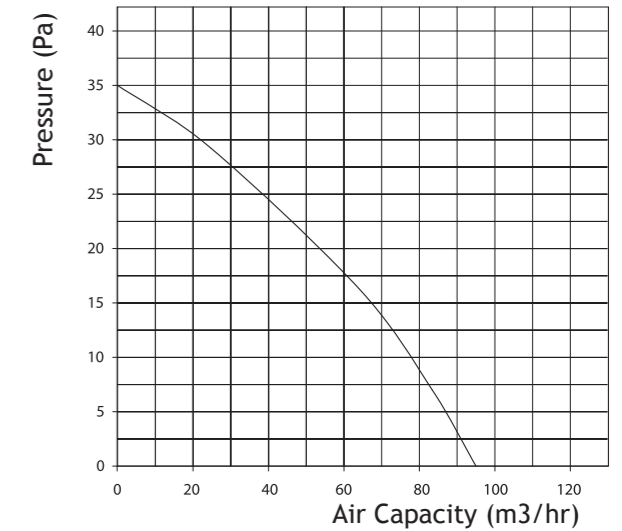
### Fan Overall Dimensions (mm)

SKU	D	B	L	L1	H
EMVUSS1	100	150	108	12	120
EMVUSS2	125	176	114	13	140
EMVUSS3	150	205	132	14	165



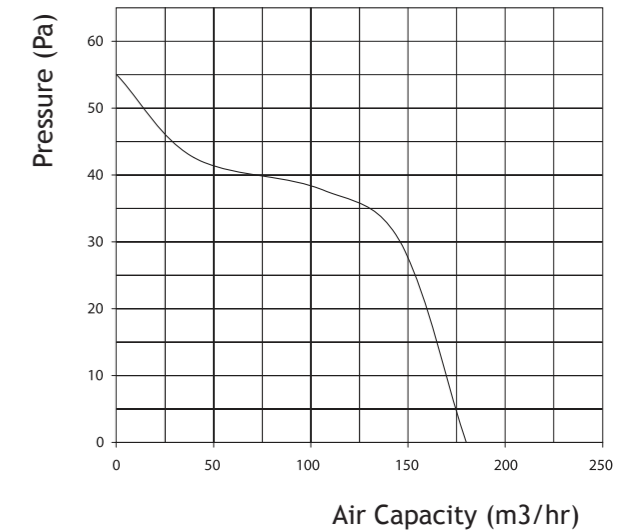
### EMVULSS1 - S Series 100mm Ceiling / Wall Exhaust Fan

Voltage	220-240
Power (W)	14
Current (A)	0.085
Capacity (m3/hr)	95
Capacity (l/s)	26.41
Capacity (CFM)	79.51
RPM (min-1)	55.95
Noise Level at 3m (dBA)	34
Protection rating	IP34



### EMVULSS2 - S Series 125mm Ceiling / Wall Exhaust Fan

Voltage	220-240
Power (W)	16
Current (A)	0.1
Capacity (m3/hr)	180
Capacity (l/s)	50.04
Capacity (CFM)	106.02
RPM (min-1)	2400
Noise Level at 3m (dBA)	35
Protection rating	IP34



### EMVULSS3 - S Series 150mm Ceiling / Wall Exhaust Fan

Voltage	220-240
Power (W)	24
Current (A)	0.13
Capacity (m3/hr)	292
Capacity (l/s)	81.17
Capacity (CFM)	171.98
RPM (min-1)	2400
Noise Level at 3m (dBA)	38
Protection rating	IP34

